

## NEW GARDEN LIGHT



**BCT-OLG3.0**

Patent Number: 2022 2 2346099.3



Light energy charging



Always bright on rainy days



Wide lighting range



Clean Energy

### Product Parameters

\*Battery may be stored up to 3 months then a freshening charge is required.

Product name	<b>20W Solar Garden Light</b>	
Model		BCT-OLG3.0
Solar panel		35W (Mono)
Panel size		357×515×25 mm
Battery		3.2V/25(±5)Ah LiFePO <sub>4</sub> Battery
Light power		2000lm (Common 20W LED)
Lighting time	6+X/Intelligent power control, and can use remote control to adjust brightness and working mode.	
Installation height		3-5m
Installation distance		15-20m
Gross weight		6.70kg
Lamp life		100000 hours
Product size		515×575×543mm
Carton Size		535×377×175mm (1 pcs/carton)
Beam angle		bat wing 150°*70°
CRI		Ra70
Color temperature		6500K,4000K
IP rating		IP65
IK level		IK08
Operating temperature		-40°C~70°C
Working humidity		10%~90%

\*Note: The above data are typical values. The actual product weight will have an error of about 5%.

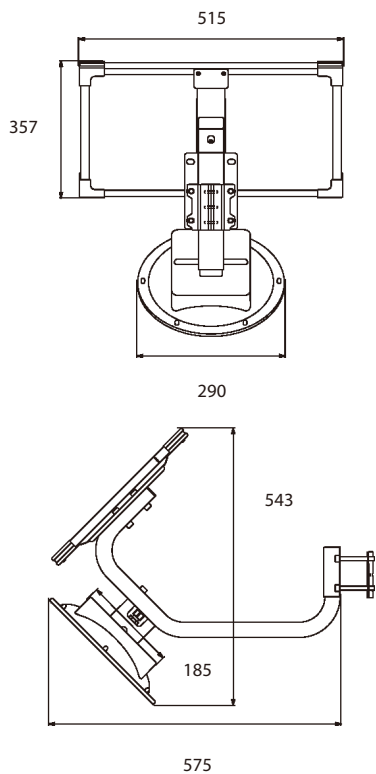
## Product Display



### ► Product Size:

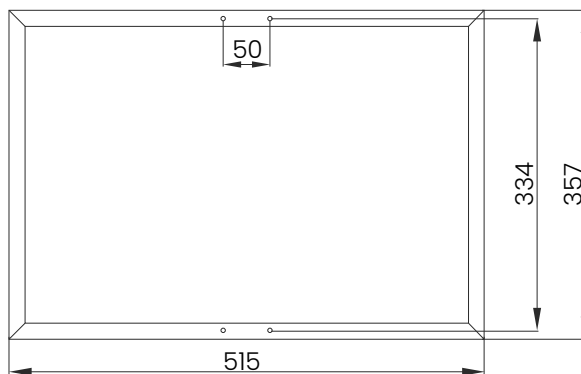
- Product size

Unit:mm

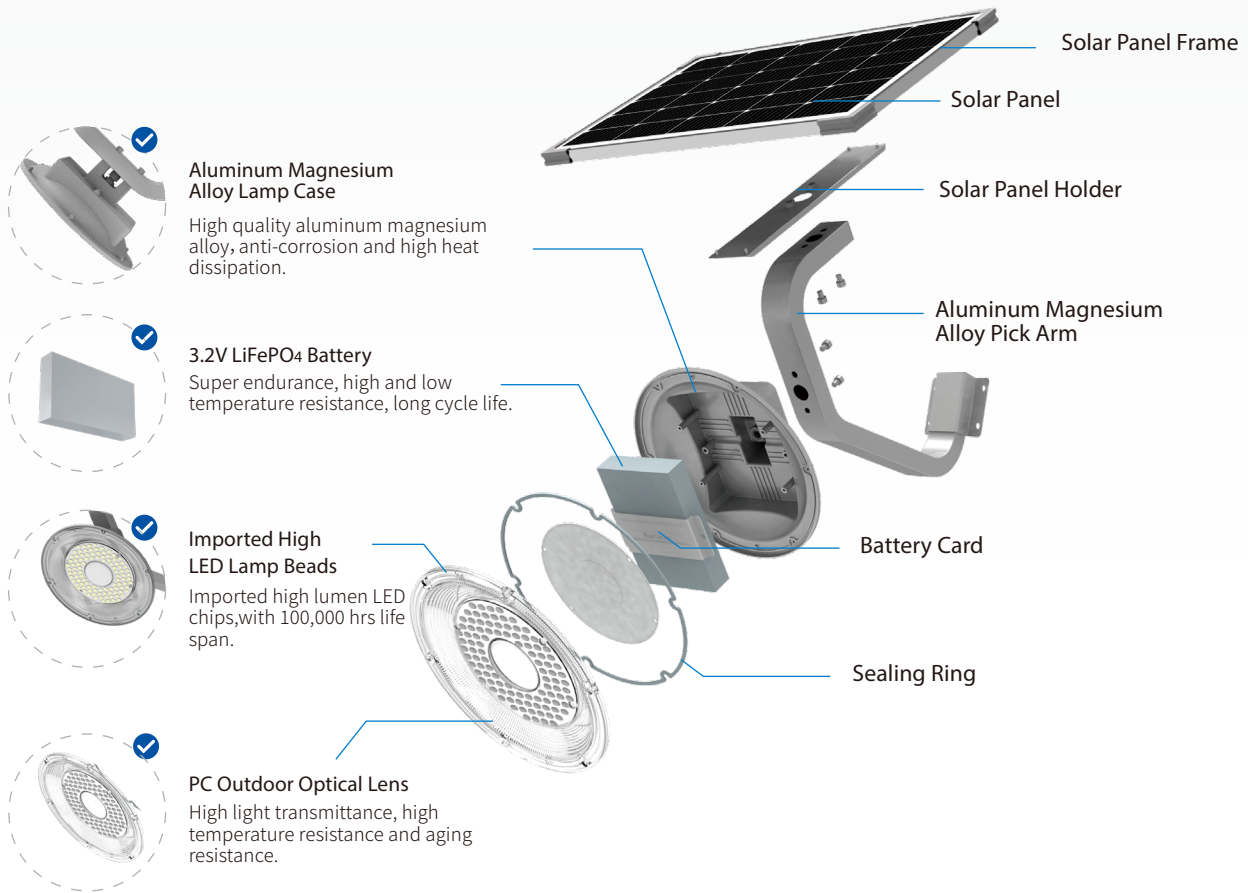


- Solar panel size chart

■ 357×515×25 mm



## ► Product Details Display



- Original patent design, independent mould.
- All night lighting. The light never be off no matter how many rainy or cloudy days.
- The light can be installed from Equator area to Polar regions. The working temperature is -47-70°C
- Integrated design, modular production.
- Low voltage design, safe and Reliable.
- Integrated package, convenient transportation.

## ► Installation Case

### Applicable place:

It is widely used in streets and roads, residential areas, scenic spots, parks, squares, private gardens and other public places.

The product is easy to install, no auxiliary lines required, energy saving and environmental protection, no electricity charge, long service life.

## New Garden Light



▲ Ulaanbaatar



▲ The United Arab Emirates